



NESS ACCESS CONTROL PRODUCTS



505R

DUAL FUNCTION CARD READER / CONTROLLER

Part No. 101-046

The NESS IDTECK 505R is a highly advanced, intelligent single door controller with a dual 8bit microprocessor to meet the market requirement for a robust integrated solution for access control and time & attendance.



PIN



Fob



RF Card

- Single door controller for access control and time & attendance.
- Built-in Proximity Reader.
- Data memory programmable
 - Card holder records: 500 to 10,000
 - Off-line stored events: 7,250 to 2,500
- 4 independent input ports (Exit button, Door contact, Aux 1, 2).
- 4 output ports including 2 Form-C Relays.
- All setting values are user programmable from the keypad or from the application software.
- Duress Mode Operation.
- Time Schedule Operation.
- Door Lock and Unlock functions.
- Door Forced Open and Door Open Too Long functions.
- RS-232 and RS-422 communication port for interfacing with the application software.
- Address selectable up to 32ea.
- Baud rate 4800, 9600(default), 19200bps.
- 3 LEDs (red, green, and yellow) for system operation status.
- 2 line x 16character LCD display.

The NESS IDTECK 505R is designed for high security, convenience and reliability at a competitive price.

This user friendly device allows you to register 500 ~ 10,000 ID numbers and it can keep 2,500 ~ 7,250 events. The event logs are easily generated into reports and archive information to Excel or Access databases; and ultimately successfully manage all access control and time & attendance issues.

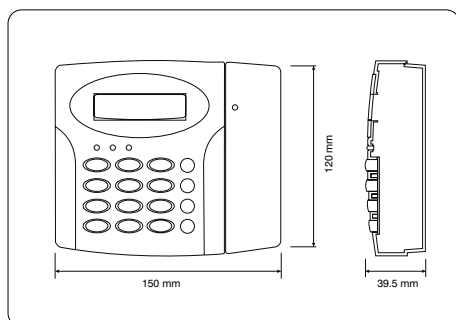
With a built-in RF reader and keypad for Personal Identification Numbers (PIN), the NESS IDTECK 505R offers up to two levels of ID verification. You can verify by proximity, PIN or both and multiple verification levels can be custom programmed for each user or user group.

Four independent input ports can be utilized for a wide variety of controls including exit buttons, door contacts, PIR sensors and fire detection equipment. Actions to be taken and time settings can be programmed with the front keypad or via the intuitive Windows based software program.

The NESS IDTECK 505R can be used both as a stand-alone system and also be networked. All control setting values such as ID numbers, inputs/outputs, real-time clock, time schedules, and event transaction reports can be uploaded and/or downloaded to and from the host computer.

The compact and contemporary unit is easily installed and programming requires no significant knowledge of access control or time & attendance. The Three LED indicator lights inform you of the systems operating status at real time and the digital display acts as a programming aid as well as a regulation time clock.

By bundling the ultimate in high security access control and comprehensive employee management tools into a compact user friendly unit, the field proven NESS IDTECK 505R is the ideal solution for controlling entrances and ensuring complete employee accountability.

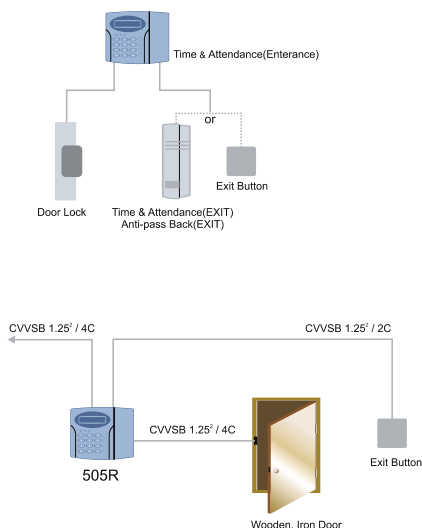


Access Control Products

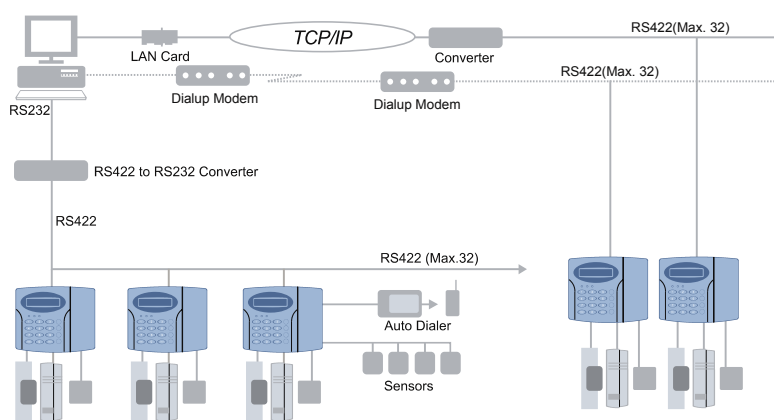
NESS ACCESS CONTROL PRODUCTS

SPECIFICATIONS	101-046 505R DUAL FUNCTION CARD READER / CONTROLLER
CPU	Dual 8bit Microprocessor
MEMORY	Program Memory: 64KByte ROM Data Memory: 128KByte RAM (battery backup)
READ RANGE	IDC50 Fob: 5cm, IDC170 Card: 10cm, IDC80 Card: 10cm, IDA150 Card: 30cm, IDA200 Card: 40cm
EVENT BUFFERS	User defined Card holders and Event buffers (Card holders : 500~10,000 / Event buffers : 2,500~7,250)
EXTERNAL READER PORT	1 reader port (26bit Weigand, 8bit Burst) for anti-passback
INPUTS/OUTPUT	Input : 4EA (Isolation) / Output : 2EA of Form-C relay(Com, NO, NC), Rating 2A, 2EA of TTL output
LCD DISPLAY	1 x Character LCD Module, 2 line x 16ch, 65.6 x 13.8
KEYPAD	16 numeric keypad with back lighting
COMMUNICATIONS	RS232/RS422(Up to 32 ch.), TCP/IP available with LAN converter (101-122) Baud Rate : 4800bps, 9600bps (Default), 19200bps and 38400bps Software programmable
INDICATORS/BEEPER	3 LED (Red/Green/Yellow), Piezo buzzer
POWER	DC12V, Max. 350mA
ENVIRONMENTAL	LCD : 0°C to +50°C, 10% to 90% RH (Non-condensing) Controller : 0°C~ +60°C, 10% ~90% RH(Non-condensing) RF Reader: -35°C~ +65°C, 10% ~90% RH(Non-condensing)
WEIGHT	397g

STANDALONE CONFIGURATION



NETWORK CONFIGURATION



www.ness.com.au

© 2004 Ness Security Products Pty Ltd ABN 28 069 984 372
Photographs are used for illustrative purposes only. Design and specifications may vary.



Access Control Products



Quality Endorsed Company
ISO9001
LIC No. QSC2074
NSW Head Office only

SYDNEY
02 8825 9222
sales@ness.com.au

MELBOURNE
03 9875 6400
nessmelb@ness.com.au

BRISBANE
07 3399 4910
nessbris@ness.com.au

PERTH
08 9328 2511
nessper@ness.com.au

ADELAIDE
08 8277 7255
aquavia@cobweb.com.au

NZ (NFS SECURITY)
+64 9 573 0401
sales@nfs.co.nz