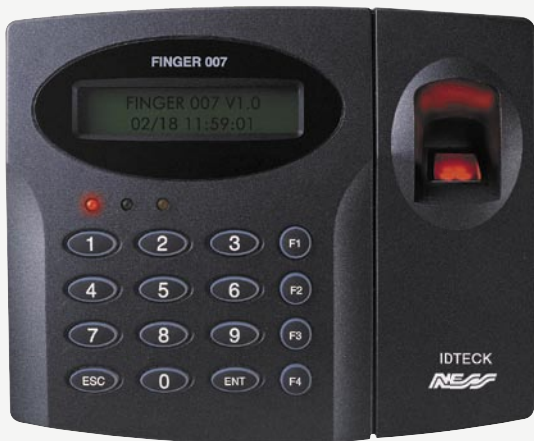




NESS ACCESS CONTROL PRODUCTS



FINGER 007

FINGERPRINT & PIN READER / CONTROLLER

Part No. 101-092

The NESS IDTECK FINGER007 is a highly advanced, intelligent single door controller with a powerful 32bit and dual 8bit microprocessor to meet the market requirement for a robust integrated solution for access control and time & attendance.



- Single door controller for access control and time & attendance, network capable, up to 32 units on one communications buss.
- Built-in Proximity Reader
- 720 fingerprint users (optional 2,000/4,500) with storage of up to 26,000 events
- 4 independent input ports (Exit, Door Contact, AUX1, AUX2)
- 4 output ports including 2 Form-C Relays and 2 TTLs
- All I/Os actions and associated timing functions are programmable via keypad or the application software
- Door Lock and Unlock functions
- Configurable for Normal/Secure mode of operation (Secure Mode requires using external sensor(s) and alarm/siren)
- RS-232 and RS-422 communication port for interfacing with the application software
- Baud rate 4800, 9600(default), 19200bps
- 3 LEDs (red, green, and yellow) for system operation status
- 2 line x 16 character LCD

The unit is designed to be flexible and reliable as well as provide the ultimate in biometric high security at a reasonable cost. This user-friendly device allows you to register up to 720 fingerprint IDs (optional 2,000/4,500); add / delete user IDs conveniently; store up to 26,000 transactions in its event buffer; easily report and archive information to Excel or Access databases; and ultimately successfully manage all access control and time & attendance issues.

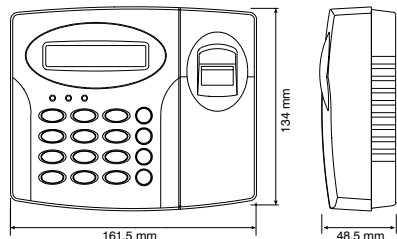
With a built-in RF reader, keypad for Personal Identification Numbers (PIN), and a sophisticated biometric fingerprint analyzer, the FINGER007 offers up to three levels of ID verification. Any combination of proximity, PIN, and biometric may be used and different verification levels can be custom programmed for each user or user group.

Four independent input ports can be utilized for a wide variety of controls including exit buttons, door contacts, PIR sensors and fire detection equipment. Actions to be taken and time settings can be programmed with the front keypad or via Ness Dual Pro Application software.

The FINGER007 can be used both as a stand-alone system and also be networked. All control setting values such as ID numbers, inputs/outputs, real-time clock, time schedules, and event transaction reports can be uploaded and/or downloaded to and from the host computer.

The compact and contemporary unit is easily installed and programming requires no significant knowledge of access control or time & attendance. The Three-LED indicator lights inform you of the systems operating status at real time and the digital display acts as a programming aid as well as a regulation time clock.

By bundling the ultimate in high security access control and comprehensive employee management tools into a compact user friendly unit, the field proven NESS IDTECK FINGER007 has made real what until recently was thought only to be possible in science fiction.



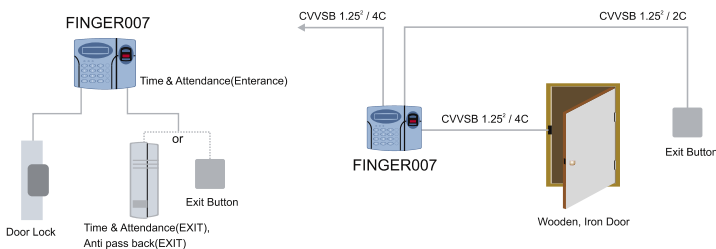
Access Control Products



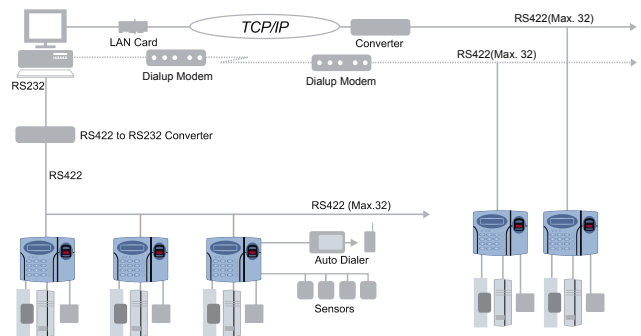
NESS ACCESS CONTROL PRODUCTS

SPECIFICATIONS	101-092 FINGER007
CPU	32bit Strong ARM and Dual 8bit Microprocessor
MEMORY	Finger Module Program Memory: 8KByte ROM Data Memory: 128KByte/256KByte/512KByte Flash Memory Controller Program Memory: 64 KByte Flash Data Memory: 512KByte SRAM(Battery back up)
READ RANGE	IDC50 Fob: 5cm, IDC170 Card: 10cm, IDC80 Card: 10cm, IDA150 Card: 30cm, IDA200 Card: 40cm
FINGERPRINT USERS / EVENT BUFFERS	720/2,000/4,500 Fingerprint Templates/26,000 event buffers
TEMPLATE SIZE	800Bytes for Dual Fingerprint Template
READING TIME / VERIFICATION TIME	Card(30ms), Fingerprint (less Than 1 sec, 3 sec for automatch)
PROXIMITY READER	Built-in Proximity Reader (125KHz)
EXTERNAL READER PORT	1 reader port (26bit Weigand, 8bit Burst) for anti-passback
INPUT/OUTPUT PORTS	Input: 4 (Isolation) Output: 2 Form-C Relay(COM, NO, NC) Rating Max. 2A, 2 TTL Outputs
LCD DISPLAY	1 x LCD Module, 2 lines x 16ch, 65.5 x 13.8mm screen
KEYPAD	16 numeric keypad with back lighting
COMMUNICATIONS	RS232/RS422(Up to 32 ch.), TCP/IP available with LAN converter (101-122) Baud Rate : 4800bps, 9600bps (Default), 19200bps and 38400bps Software programmable
INDICATORS/BEEPER	3 LED (Red/Green/Yellow), Piezo buzzer
POWER	DC12V, Max. 300mA
ENVIRONMENTAL	LCD : 0°C to +50°C, 10% to 90% RH (Non-condensing) Fingerprint module & Controller : -15°C~ +40°C, 10% ~90% RH(Non-condensing)
WEIGHT	547g

STANDALONE CONFIGURATION



NETWORK CONFIGURATION



www.ness.com.au

© 2004 Ness Security Products Pty Ltd ABN 28 069 984 372
Photographs are used for illustrative purposes only. Design and specifications may vary.



Access Control Products



Quality Endorsed Company
ISO9001
LIC No. QSC2074
NSW Head Office only

SYDNEY
02 8825 9222
sales@ness.com.au

MELBOURNE
03 9875 6400
nessmelb@ness.com.au

BRISBANE
07 3399 4910
nessbris@ness.com.au

PERTH
08 9328 2511
nessper@ness.com.au

ADELAIDE
08 8277 7255
aquavia@cobweb.com.au

NZ (NFS SECURITY)
+64 9 573 0401
sales@nfs.co.nz